

# EVACU-TRAC

EMERGENCY EVACUATION CHAIR



**Is this your solution  
to emergency evacuation?**

The Evacu-Trac by Garaventa Lift is an evacuation chair used to move people with a disability or injury down stairways quickly and safely during an emergency. Patented speed governor and braking system allow a small attendant to easily evacuate a larger passenger. It folds compactly when not in use.

# The Evacu-Trac is simply the best evacuation chair on the market today.

It is easy for the operator to use and is comfortable for the passenger. This encourages regular practice drills, considered essential to emergency preparedness.

Exclusive safety features set Evacu-Trac apart:

- Hydraulic Speed Governor
- Failsafe Braking System - STOPS AND HOLDS A FULLY LOADED EVACU-TRAC ON THE STAIRS!

## 1 Failsafe Braking System

- stops and holds Evacu-Trac on the stairs
- acts as a parking brake on flat surfaces
- engaged automatically when the operator releases the brake bar

## 2 Open sides for easy transfer

- many passengers are able to transfer themselves
- open sides and low seating position allow for easy patient transfer in an emergency

## 3 Comfortable

- comfortable seating position for passengers of various sizes
- Good support for passenger's head, back, hips, legs and feet

## 4 Hydraulic speed governor

- controls decent speed mechanically
- exclusive Evacu-Trac safety feature

## 5 Steel reinforced tracks

- hundreds of steel wires molded in to rubber tracks ensure strength and durability
- lugs on tracks grip stairs securely

## 6 Auxiliary wheels

- allow for easy movement around corners and across flat landings

## 7 Adjustable straps

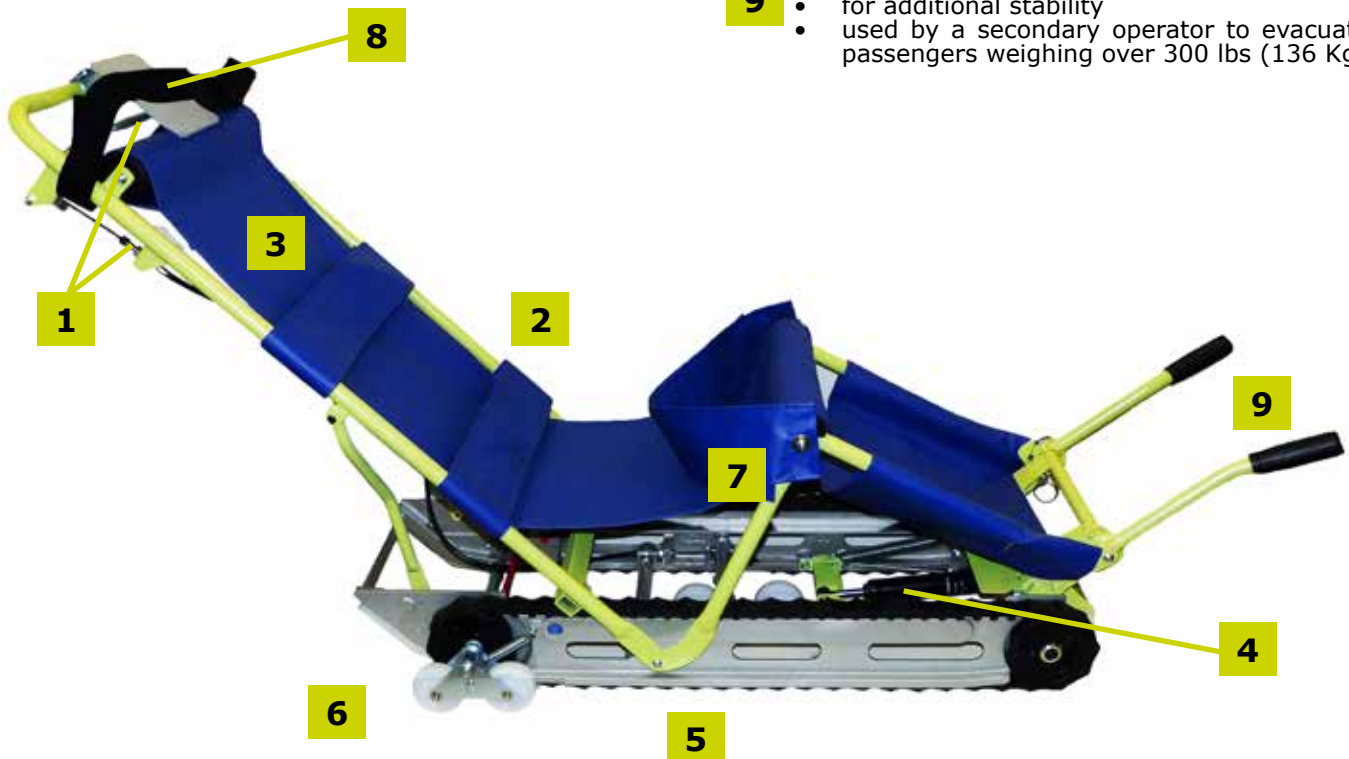
- three safety straps hold passenger securely
- adjustable straps with velcro ensure passenger comfort and safety
- straps secure passengers of various sizes, including children

## 8 Head restraint system

- padded headrest and adjustable restraint strap allow for safe evacuation when head support must be maintained

## 9 Auxiliary handles

- for additional stability
- used by a secondary operator to evacuate passengers weighing over 300 lbs (136 Kg)



In an emergency such as a fire or an earthquake, elevators should not be used. People with limited mobility may be trapped. Evacu-Trac provides a lifeline to safety.

During an emergency, the passenger is transferred from their wheelchair to the Evacu-Trac. Once positioned in the Evacu-Trac, velcro straps are wrapped securely around the passenger's torso and lower legs.



During descent the passenger sits in a comfortable, upright position, securely held by three safety straps.



If stopping on the stairway during evacuation becomes necessary, the fully loaded Evacu-Trac will stay stationary and stable on the stairs without any support from the operator.

## Specifications & Dimensions

Capacity.....180kgs/400lbs  
 Speed.....0.8m(2.6ft)/sec  
 Stair Angle.....40° Max.  
 Weight.....24kgs/53lbs

### Size Open

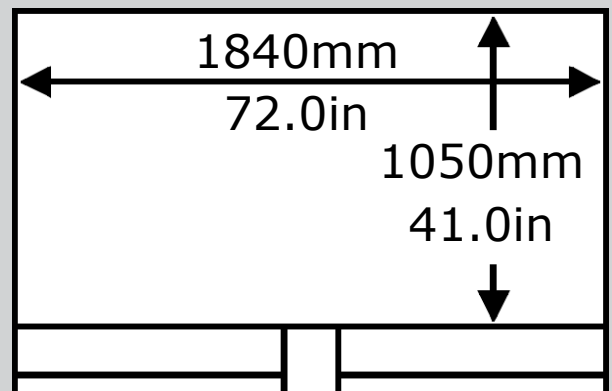
Length.....1303mm/51.3in  
 Width.....425mm/16.8in  
 Height.....820mm/32.3in

### Size Folded

Length.....1106mm/43.5in  
 Width.....425mm/16.8in  
 Height.....270mm/10.6in

## Clearances

The diagram below shows typical clearances required on turnback stairways. Actual requirements may vary depending on stairway configuration.





# EVACU-TRAC - Emergency Evacuation Chair

## Buyer Beware!

Not all evacuation chairs are created equal. The Rehabilitation Engineering & Assistive Technology Society of North America (RESNA) has issued a Position Paper on the use of evacuation chairs. The paper outlines the different types of evacuation chairs and concludes that, "track-type evacuation chairs offer distinct advantages...(which) help promote safe, efficient evacuation during emergencies". *Source: Rehabilitation Engineering and Assistive Technology Society of North America (RESNA) Position Paper on the Use of Evacuation Chairs, Approved by the RESNA Board of Directors April 27, 2014.*

## Want to See How an Evacuation Chair Works?

To receive your free copy of the Evacu-Trac training video

Toll Free (N.A.): 1 (866) 824-8314  
email: [productinfo@evacutrac.com](mailto:productinfo@evacutrac.com)



## Contact us today!

Phone: (604) 594-0422  
Toll Free (N.A.): 1 (866) 824-8314

Email: [productinfo@evacutrac.com](mailto:productinfo@evacutrac.com)  
Web: [www.evacutrac.com](http://www.evacutrac.com)  
Corporate: [www.garaventlift.com](http://www.garaventlift.com)



## Evacu-Trac Storage Cabinet

Protect your Evacu-Trac, as you would any other important life-safety equipment, by storing it in a steel storage cabinet located near the top of the stairway. Designed to hold a single Evacu-Trac, the storage cabinet includes graphics clearly identifying the contents.

## Storage Cabinet Dimensions

Height.....1154mm/45.5in  
Width.....509mm/20.0in  
Depth.....279mm/11.0in



Authorized Garaventa Lift Representative